



590S™ Pump Action

Supplement to 590® Pump Action and Shockwave Owner's Manuals

IMPORTANT "SAFETY WARNINGS" – NOTE THE SYMBOL



Do not attempt to load, handle or use your firearm until you read and understand the information contained in the entire owner's manual, including but not limited to this supplement. Understand and follow all instructions and warnings in their entirety. Before handling your firearm, you should learn how it operates and how to maintain it. This includes knowing its basic parts, how the manual safety and other safety features operate, how to safely open and close the action, and how to safely load and unload ammunition from the firearm. Improper use and handling is dangerous and could cause death, serious injury or property damage to you or those around you. All users of the firearm must become thoroughly familiar with the instructions in the owner's manual, including but not limited to this supplement.



This manual including this supplement is not a comprehensive guide to firearm safety. Mossberg recommends that new firearm owner's and/ or shooters seek professional training from qualified instructors prior to handling any firearm.



Be certain this owner's manual and supplement is available for reference and is kept with this firearm if transferred to another party. If this manual and/or supplement is lost or misplaced, contact the Product Service Center for a free replacement copy or visit www.mossberg.com.



After performing any work on your firearm such as cleaning, adjustments, disassembly or installation of any accessory, the firearm should be re-checked for proper functioning before using and/or firing live ammunition.



Firearms are complex mechanisms. Any modification, alteration, or improper fitting of parts may result in a dangerous malfunction, damage to the firearm, and could cause death, serious injury or property damage to you or those around you. The firearm's owner must accept full responsibility for the correct reassembly and functioning of the firearm after any disassembly or replacement of parts.



If you do not understand any of the material in this manual or have any questions, contact the Product Service Center or a qualified gunsmith.



WARNING: This product can expose you to chemicals, including lead, which are known to the State of California to cause cancer and birth defects or other reproductive harm. For more information go to www.P65Warnings.ca.gov.



Check to be certain that the correct ammunition has been selected for use. Ensure it is the same gauge, length and type of shotshell as designated on the barrel. Failure to do so could cause death, serious injury or property damage to you or those around you.



Before performing any disassembly or assembly on your firearm, set the safety button fully rearward to the "ON" (SAFE) position and keep the muzzle pointed in a safe direction. Open the action, visually and physically check the chamber, elevator and magazine tube to ensure the firearm is completely unloaded (Refer to the Unloading the Firearm section of your firearms owner's manual).



Wear eye protection during disassembly, assembly and cleaning to protect your eyes from oil spatter or spring-loaded components.

Your Mossberg 590S™ ships from the factory with a short shell bumper installed on the front of the trigger housing assembly and the elevator has an extended tab marked with 1-3/4"-3". This aids the feeding of shorter 12 gauge 1-3/4" shotshells as well as 2-3/4" and 3" shotshells. You will note regarding the 590S™ that the barrel is marked and chambered for 1-3/4", 2-3/4" and 3" shotshells, and that the barrel is also marked regarding the standard 590® that it is chambered for 2 3/4" and 3". This is because the barrel itself may be used with the 590S™ version of the model 590®, and also used with the standard model 590®. However, only the 590S™ can properly cycle 1-3/4", 2-3/4" and 3" shotshells. Please confirm that you have a 590S™ by checking the marking on the receiver before attempting to utilize or cycle 1-3/4" shells. As noted in this supplement, the original elevator supplied with the 590S™ is also marked to reflect 1-3/4", 2-3/4" and 3" shotshells, while the standard 590® elevator is not marked in such a manner when it leaves the factory.

MAGAZINE CAPACITY



As a firearms owner you are responsible for complying with all applicable laws, including but not limited to any state or local restrictions regarding magazine capacity. Check with your local retailer or state police for laws that may be applicable to you, including but not limited to magazine capacity. Since such regulations are subject to change, state and local authorities are in the best position to advise you on such matters.

Total ammunition capacity for the 590S™ (including one in the chamber) is (5) 3" shotshells, (6) 2-3/4" shotshells and can hold nine to fourteen (9-14) 1-3/4" shotshells depending on your firearms model configuration. Depending upon shotshell tolerance variations and your firearms model configuration, total capacity may be reduced by one shotshell.

DISASSEMBLY OF SHORT SHELL BUMPER



Wear eye protection during disassembly.

If removal of the short shell bumper is required, proceed as follows:

1. To remove the short shell bumper, you must first remove the trigger housing assembly, refer to the Disassembly/ Trigger Housing Assembly Removal section of your firearms owner's manual.
2. Once the trigger housing assembly has been removed, depress the disconnecter and slide the short shell bumper away from the action lock lever as shown in figure 1. No further disassembly is required.

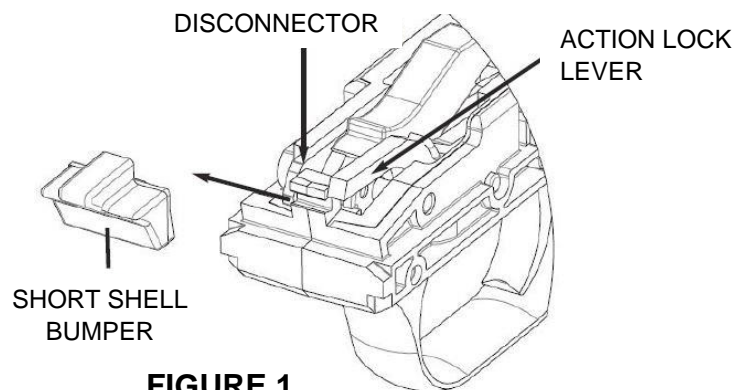


FIGURE 1



Further disassembly should only be performed by a qualified gunsmith or the Product Service Center. Improper disassembly or reassembly, alterations, modifications and/or repairs by a party other than Mossberg could compromise the safety or performance of your firearm, and could result in death, serious injury, or property damage to you or others and will void your warranty.

CLEANING

The short shell bumper that comes installed in your 590S™ needs minimum maintenance and can be cleaned during your firearms regular cleaning cycle. It can be cleaned either installed or removed from the trigger housing assembly.

1. To clean your short shell bumper, wipe with a dry cloth to remove any dirt or debris build up. No excessive cleaning or lubrication is necessary.

ASSEMBLY OF SHORT SHELL BUMPER



Ensure there is no presence of ammunition while assembling your firearm. Be sure the chamber and magazine remain unloaded. Wear eye protection during cleaning and assembly to protect your eyes.



Firearms are complex mechanisms. Any modification, alteration, or improper fitting of parts may result in a dangerous malfunction, damage to the firearm, and could cause death, serious injury or property damage to you or those around you. The firearm's owner must accept full responsibility for the correct reassembly and functioning of the firearm after any disassembly or replacement of parts.

NOTE: The short shell bumper must be installed **before** the trigger housing assembly is installed.

1. Depress the disconnecter and gently slide the short shell bumper into the dovetail slot towards the action lock lever until it is centered on the trigger housing as shown in figure 2.
2. Reinstall the trigger housing assembly as described in the Assembly/ Trigger Housing Assembly Installation section of your firearms owner's manual.

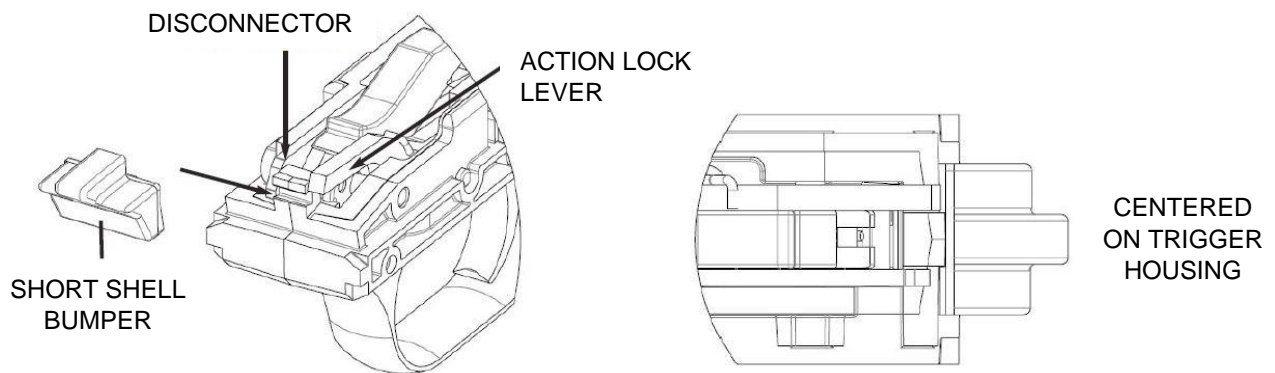


FIGURE 2



After performing any work on your firearm such as disassembly, cleaning or assembly, check your firearm for proper functioning before firing any live ammunition. Refer to the Function Testing section of your firearms owner's manual.