



OWNER'S MANUAL

590R™ 12 GA.
**PUMP ACTION SHOTGUN WITH
ROTARY SAFETY**

IMPORTANT "SAFETY WARNINGS" - NOTE THE SYMBOL



THESE SAFETY WARNINGS ARE FOR YOUR PROTECTION AS WELL AS THE SAFETY OF OTHERS. DISREGARDING INFORMATION IN THIS MANUAL COULD CAUSE SERIOUS INJURY OR DEATH TO YOU OR THOSE AROUND YOU.



Do not attempt to load, handle or use your firearm until you read and understand the information contained in this owner's manual. Understand and follow all instructions and warnings in their entirety. Before handling your firearm, you should learn how it operates and how to maintain it. This includes knowing its basic parts, how the manual safety and other safety features operate, how to safely open and close the action, and how to safely load and unload ammunition from the firearm. Improper use and handling are dangerous and could cause death, serious injury or property damage to you or those around you. All users of the firearm must become thoroughly familiar with the instructions in this manual.



This manual is not a comprehensive guide to firearm safety. Mossberg recommends that new firearm owners and/ or shooters seek professional training from qualified instructors prior to handling any firearm.



Be certain this owner's manual is available for reference and is kept with this firearm if transferred to another party. If this manual is lost or misplaced, contact the Product Service Center for a free replacement copy or visit www.mossberg.com.



After performing any work on your firearm such as cleaning, adjustments, disassembly or installation of any accessory, the firearm should be re-checked for proper functioning before firing live ammunition.



Firearms are complex mechanisms. Any modification, alteration, or improper fitting of parts may result in a dangerous malfunction, damage to the firearm, and could cause serious injury or death to you or those around you. The firearm's owner must accept full responsibility for the correct reassembly and functioning of the firearm after any disassembly or replacement of parts.



If you do not understand any of the material in this manual or have any questions, contact the Product Service Center or a qualified gunsmith.

O.F. MOSSBERG & SONS, INC.

P.O. BOX 497 • 7 GRASSO AVENUE, NORTH HAVEN, CONNECTICUT 06473
PHONE (800) 363-3555
www.mossberg.com

Safety and safe firearms handling is everyone's responsibility.



As the owner of a firearm, you must undertake the full-time responsibility of safe firearms handling for your own safety and the safety of those around you:

- Keep all firearms and ammunition out of the reach of children, or any unauthorized person.
- Store your firearms and ammunition separately, locked in a secure location.
- Be sure to read how to properly install your cable lock as instructed in this manual.
- Never store a loaded firearm.
- Never leave a loaded firearm unattended.
- Never transport a loaded firearm in a vehicle. When transporting your firearm, keep it unloaded, stored and secured within the confines of the vehicle.
- Unload your firearm when you have stopped shooting or when you have to climb a tree, fence or cross a slippery surface. Keeping your firearm unloaded when not in use will prevent an unintentional discharge should you accidentally slip, fall, drop or jar your firearm.
- The Safety Selector should remain fully in the **SAFE** position and the firearm unloaded at all times until you are in a place where it is safe to shoot, keeping your finger off the trigger and outside the trigger guard until you are aiming at the intended target and have decided to fire.
- Never shoot at water, rocks, or any hard surfaces. Shots may glance off or ricochet off such surfaces and could cause death, serious injury or property damage to you or those around you.
- Be sure of your target and beyond. Make sure that your back stop is adequate to stop shots prior to firing.
- Do not use alcohol or drugs before or while handling firearms.
- Do not touch the trigger while the Safety Selector is being engaged or disengaged.



Remember, a firearm's manual safety is a mechanical device which can never replace safe firearm handling practices.



Never rely on any mechanical mechanism or safety device to prevent the dangers of careless handling or pointing a firearm in an unsafe direction.



Always point the muzzle of your firearm in a safe direction, regardless of whether the firearm is loaded or unloaded. You should become thoroughly familiar with the function and operation of this firearm and the instructions supplied with it.



Always treat every firearm as if it is loaded. Give your firearm to someone with the Magazine Tube empty, the action open, and the Safety Selector fully in the **SAFE** position, after you verify the firearm is unloaded. Insist on the same procedure when receiving a firearm from someone else. Learn the location of all the safety features of your firearm and how they operate.



Never place your finger inside the trigger guard or on the trigger unless you intend to fire. When you pull the trigger you must expect the firearm to fire and you must take full responsibility for your actions.



Always wear eye and hearing protection when firing a firearm. Firing a firearm without proper hearing protection can cause hearing loss. The use of eye protection during any type of shooting, disassembly, assembly and cleaning is important to protect your vision.



When using a firearm with mounted optics, maintain an adequate distance between the rear of the optic and your face at all times. Be certain the optic installation does not interfere with access to, or the proper functioning of the safety.



We specifically disclaim any responsibility for damage or injury whatsoever occurring in connection with, or as a result of, the use of faulty, or non-SAAMI standard, or “remanufactured”, or hand-loaded (reloaded) ammunition. Additionally, we disclaim any responsibility for damage or injury which results from any modifications or changes that are not a part of the firearm as delivered from the factory.



Check to be certain that the correct ammunition has been selected for use. Ensure it is the same gauge, length and type of shotshell as designated on the Barrel. Failure to do so could cause death, serious injury or property damage to you or those around you.



Always ensure that Barrel and action are clear of obstructions before firing. Firing a blocked firearm could cause death, serious injury, or property damage to you or those around you.



Never force a jammed action. This could cause a shotshell to explode resulting in death, serious injury or property damage to you or those around you.



Should any shotshell fail to fire, keep the muzzle pointed in a safe direction for at least thirty (30) seconds in case the shotshell is a “hangfire” (delayed firing of the shotshell after being struck by the firing pin). Move the Safety Selector fully to the **SAFE** position. Pull the Forearm fully rearward, extracting and ejecting the misfired shotshell. Segregate the misfired shotshell from other ammunition. Do not attempt to refire a misfired shotshell. If the indent from the firing pin is light or absent, contact a qualified gunsmith or the Product Service Center.



Do not drop, or allow anything to strike the firearm because, as with any firearm, an accidental discharge may result.



Learn to clean your firearm thoroughly and make certain no oil, grease or other materials are blocking the Barrel. Obstructions of any kind can cause death, serious injury or property damage.



Practice proper firearm maintenance and safety. Make sure all exposed metal surfaces are coated with a thin film of oil, especially after being exposed to damp weather. (See the proper section of this manual for cleaning instructions.) Do not plug the Barrel or store in a fabric-lined case, which will absorb lubricants from the firearm. Always store this firearm with the chamber empty and Magazine Tube unloaded. Failure to do so could result in an unintentional discharge.



Before using the firearm after storage, follow complete instructions stated in this manual for re-familiarization with the firearm. A thorough inspection and function test should be performed before going into the field. Have your firearm periodically checked by a qualified gunsmith.

STATE-BY-STATE WARNINGS

Certain states require, by law, that their own specified warning notices, in larger-than-normal type be conspicuously included by the manufacturer, distributor, or retail dealer with firearms sold in that state. O.F. Mossberg & Sons, Inc. ("Mossberg") sells its products in compliance with applicable laws and regulations. Because our products may be sold in these states, we include the following:



CALIFORNIA:

Firearms must be handled responsibly and securely stored to prevent access by children and other unauthorized users. California has strict laws pertaining to firearms, and you may be fined or imprisoned if you fail to comply with them. Visit the Web site of the California Attorney General at <https://oag.ca.gov/firearms> for information on firearm laws applicable to you and how you can comply. Prevent child access by always keeping guns locked away and unloaded when not in use. If you keep a loaded firearm where a child obtains and improperly uses it, you may be fined or sent to prison.



ADVERTENICA:

Las armas de fuego deben manipularse de manera responsable y segura para evitar el acceso de niños y otros usuarios no autorizados. California tiene leyes estrictas relacionadas con armas de fuego, y usted puede ser multado o encarcelado si no las cumple. Visite la pagina web del Procurador General de California en <https://oag.ca.gov/firearms> para obtener información sobre las leyes de armas de fuego que le son aplicables y cómo puede cumplirlas. Evite el acceso de niños manteniendo siempre las armas bloqueadas y descargadas cuando no estén en uso. Si mantiene un arma de fuego cargada donde un niño obtiene y la usa indebidamente, se le puede multar o enviar a prisión.



CONNECTICUT:

"UNLAWFUL STORAGE OF A LOADED FIREARM MAY RESULT IN IMPRISONMENT OR FINE."

**FLORIDA:**

“IT IS UNLAWFUL, AND PUNISHABLE BY IMPRISONMENT AND FINE, FOR ANY ADULT TO STORE OR LEAVE A FIREARM IN ANY PLACE WITHIN THE REACH OR EASY ACCESS OF A MINOR UNDER 18 YEARS OF AGE OR TO KNOWINGLY SELL OR OTHERWISE TRANSFER OWNERSHIP OR POSSESSION OF A FIREARM TO A MINOR OR A PERSON OF UNSOUND MIND.”

**MAINE:**

“ENDANGERING THE WELFARE OF A CHILD IS A CRIME. IF YOU LEAVE A FIREARM AND AMMUNITION WITHIN EASY ACCESS OF A CHILD, YOU MAY BE SUBJECT TO FINE, IMPRISONMENT OR BOTH. KEEP FIREARMS AND AMMUNITION SEPARATE. KEEP FIREARMS AND AMMUNITION LOCKED UP. USE TRIGGER LOCKS.”

**MARYLAND:**

“WARNING: Children can operate firearms which may cause death or serious injury. It is a crime to store or leave a loaded firearm in any location where an individual knew or should have known that an unsupervised minor would gain access to the firearm. Store your firearm responsibly!”

**MASSACHUSETTS:**

“WARNING FROM THE MASSACHUSETTS ATTORNEY GENERAL: This handgun is not equipped with a device that fully blocks use by unauthorized users.

More than 200,000 firearms like this one are stolen from their owners every year in the United States. In addition, there are more than a thousand suicides each year by younger children and teenagers who get access to firearms. Hundreds more die from accidental discharge. It is likely that many more children sustain serious wounds, or inflict such wounds accidentally on others. In order to limit the chance of such misuse, it is imperative that you keep this weapon locked in a

secure place and take other steps necessary to limit the possibility of theft or accident. Failure to take reasonable preventative steps may result in innocent lives being lost, and in some circumstances may result in your liability for these deaths.”

“IT IS UNLAWFUL TO STORE OR KEEP A FIREARM, RIFLE, SHOTGUN OR MACHINE GUN IN ANY PLACE UNLESS THAT WEAPON IS EQUIPPED WITH A TAMPER RESISTANT SAFETY DEVICE OR IS STORED OR KEPT IN A SECURELY LOCKED CONTAINER.”



NEW JERSEY:

“IT IS A CRIMINAL OFFENSE TO LEAVE A LOADED FIREARM WITHIN EASY ACCESS OF A MINOR.”



NEW YORK CITY:

“THE USE OF A LOCKING DEVICE OR SAFETY LOCK IS ONLY ONE ASPECT OF RESPONSIBLE WEAPON STORAGE. ALL WEAPONS SHOULD BE STORED UNLOADED AND LOCKED IN A LOCATION THAT IS BOTH SEPARATE FROM THEIR AMMUNITION AND INACCESSIBLE TO CHILDREN AND ANY OTHER UNAUTHORIZED PERSONS. NEW YORK CITY LAW PROHIBITS, WITH CERTAIN EXCEPTIONS, ANY PERSON FROM ACQUIRING MORE THAN ONE FIREARM, OR MORE THAN ONE RIFLE OR SHOTGUN, WITHIN A 90-DAY PERIOD.”



NORTH CAROLINA:

“IT IS UNLAWFUL TO STORE OR LEAVE A FIREARM THAT CAN BE DISCHARGED IN A MANNER THAT A REASONABLE PERSON SHOULD KNOW IS ACCESSIBLE TO A MINOR.”

Any person who resides in the same premises as a minor, owns or possesses a firearm, and stores or leaves the firearm (i) in a condition that the firearm can be discharged and (ii) in a manner that the person knew or should have known that an unsupervised minor would be able to gain access to the firearm, is guilty of a Class 1 misdemeanor if

a minor gains access to the firearm without the lawful permission of the minor's parents or a person having charge of the minor and the minor:

- (1) Possesses it in violation of G.S. 14-269.2(b);
- (2) Exhibits it in a public place in a careless, angry, or threatening manner;
- (3) Causes personal injury or death with it not in self defense; or
- (4) Uses it in the commission of a crime.



TEXAS:

“IT IS UNLAWFUL TO STORE, TRANSPORT, OR ABANDON AN UNSECURED FIREARM IN A PLACE WHERE CHILDREN ARE LIKELY TO BE AND CAN OBTAIN ACCESS TO THE FIREARM.”



WISCONSIN:

“IF YOU LEAVE A LOADED FIREARM WITHIN THE REACH OR EASY ACCESS OF A CHILD YOU MAY BE FINED OR IMPRISONED OR BOTH IF THE CHILD IMPROPERLY DISCHARGES, POSSESSES, OR EXHIBITS THE FIREARM.”

A note about the warnings and information contained in this manual:

We strongly suggest that you check with your local licensed retailer or state police for additional information concerning firearms ownership, or hunting or target shooting rules that may be required by local law or regulation. Since such rules and regulations are subject to change, local authorities are in the best position to advise you on such matters.

TABLE OF CONTENTS

	Page
GENERAL INFORMATION AND MECHANICAL CHARACTERISTICS.....	9
MANUAL SAFETY.....	10
ACTION RELEASE.....	11
BEFORE LOADING THE FIREARM.....	11
BARREL ASSEMBLY.....	11
LOADING THE FIREARM.....	12
FIRING.....	13-14
TO CLEAR A MALFUNCTION (“JAM”).....	14
CYCLING THE ACTION.....	15
UNLOADING THE FIREARM.....	15
DISASSEMBLY.....	16-18
CLEANING AND LUBRICATION.....	19-20
ASSEMBLY.....	21-23
FUNCTION TESTING.....	24
ADJUSTABLE STOCK.....	25
HEAT SHIELD.....	25-26
ACCU-CHOKE™ TUBES.....	27-28
STORAGE.....	29
CABLE LOCK.....	30
SERVICE INSTRUCTIONS.....	31
WARRANTY INFORMATION.....	32-33
PARTS LIST.....	34
EXPLODED VIEW.....	35
NOTES.....	36-39
THE BASIC RULES OF FIREARM HANDLING.....	BACK COVER

Prop. 65 Warning for California Residents

WARNING: This product can expose you to chemicals, including lead, which are known to the State of California to cause cancer and birth defects or other reproductive harm. For more information go to www.P65Warning.ca.gov.

GENERAL INFORMATION AND MECHANICAL CHARACTERISTICS

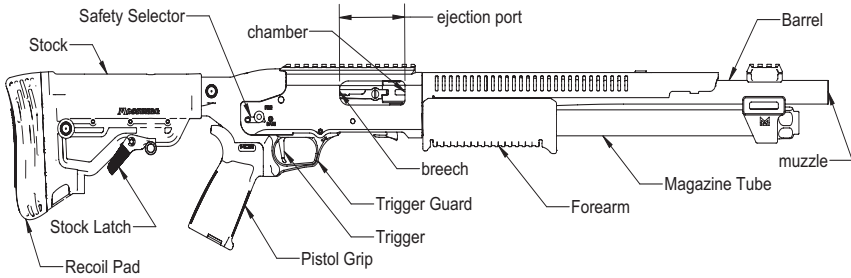


FIGURE 1

Figure 1

The chamber is the rearmost part of the inside of the Barrel. The breech is the rear face of the Barrel. It can only be seen when the Action is in the “open” position (Figure 1).



Read and understand this entire manual and its safety warnings before firing the Firearm.

MANUAL SAFETY

The Safety Selector is located above the Pistol Grip and may be accessed on either side of the Receiver (Figure 2). It must be manually moved to the desired position by the shooter.



Remember, a firearm's manual safety is a mechanical device which can never replace safe firearm handling practices.



Because any mechanical device can fail, never rely on any mechanism or safety device to prevent the dangers of careless handling or pointing a firearm in an unsafe direction.

Safety Selector fully
in the SAFE position

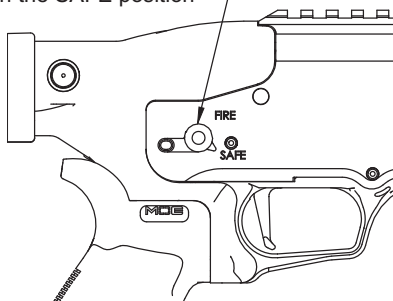


Figure 2

Safety Selector fully
in the FIRE position

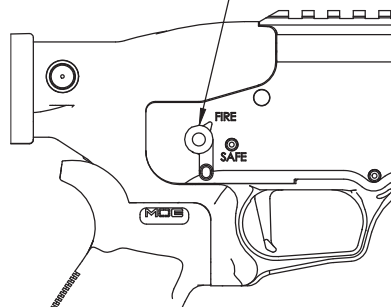


Figure 3



The Manual Safety is set in the **SAFE** condition by rotating the Safety Selector fully into its detented position and it points to the "**SAFE**" text on the Receiver (Figure 2).



The Manual Safety is set in the **FIRE** condition by rotating the Safety Selector fully into its detented position and it points to the "**FIRE**" text on the Receiver (Figure 3).



The Safety Selector should be kept in the **SAFE** position and the firearm unloaded until you are in a place where it is safe to shoot. Keep the Safety Selector in the **SAFE** position and your finger off the Trigger and outside of the Trigger Guard until you are aiming at the intended target and have decided to fire.



Placing the safety in an intermediate position between the **SAFE** and **FIRE** position can result in the user thinking the firearm is in a **SAFE** or **FIRE** position when it is not. Pulling the trigger with the safety in an intermediate position may cause the firearm to fire. Therefore, always move the safety fully to its intended position, **SAFE** or **FIRE**, and then check to be sure it is where you want it to be. Never attempt to fire the firearm with the safety only partially engaged, as the firearm may discharge and could result in death, serious injury or property damage.

ACTION RELEASE

The Action Release Lever is located on the left side of the Firearm just forward of the Pistol Grip. The Action Release Lever allows the Action to be unlocked and opened for inspection of the chamber and Action or for unloading without pulling the Trigger. The Action may be opened by pushing upward on the Action Release Lever and pulling the Forearm rearward (Figure 4).

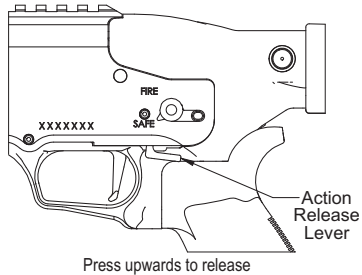


Figure 4

BEFORE LOADING THE FIREARM



Before loading the Firearm, move the Safety Selector fully to the **SAFE** position.



Before loading the Firearm, open the Action then visually and physically inspect the chamber and bore of the Barrel for any obstruction, excessive oil or grease. (The chamber is the rear portion of the Barrel which will contain the shotshell.) Obstructions of any kind can cause damage to the Firearm and could cause serious injury or death to you or those around you.



During loading never allow fingers or any objects to contact the Trigger. Keep the muzzle pointed in a safe direction at all times.



Do not load the Firearm until ready for use! Unload the Firearm when shooting has been completed! The Safety Selector should always be fully in the **SAFE** position whether the Firearm is loaded or not.



Check that the correct ammunition has been selected for use. Ensure it is the same gauge and length shotshell as designated on the **LEFT** side of the Barrel.



This Firearm is capable of firing a chambered shotshell with the Magazine Tube empty.



Be certain to check your Firearm for proper functioning before firing and live ammunition (refer to the Function Testing section of this Owner's Manual).

Total ammunition capacity varies with shotshell length and model of Firearm. Contact the Product Service Center or visit www.mossberg.com for model capacity.

BARREL ASSEMBLY

Barrel Assemblies are interchangeable between this Model 590R Firearm and Model 500A/590 Firearms.



Never close the Action or pull the Trigger while the Barrel is removed as damage could result to the Firearm.

LOADING THE FIREARM



Point the muzzle in a safe direction and ensure the Safety Selector is fully in the **SAFE** position. Open the Action by pressing upwards on the Action Release Lever and pulling the Forearm fully rearward.

If desired or necessary, the Firearm can be single loaded with a shotshell directly through the ejection port (Figure 5). Point the muzzle in a safe direction and ensure that the Safety Selector is fully in the **SAFE** position. Open the Action by pressing upwards on the Action Release Lever and pulling the Forearm fully rearward with an empty Magazine Tube. Insert a shotshell directly into the chamber and on top of the elevator and close the Action by pushing the Forearm fully forward.

The Firearm is ready for firing as soon as the Safety Selector is moved to the **FIRE** position.



The Firearm is now loaded and will fire if the Safety Selector is moved to the FIRE position and the Trigger is pulled. Keep the muzzle pointed in a safe direction at all times.

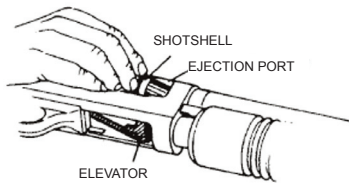


Figure 5

LOADING THE MAGAZINE TUBE

Load the Magazine Tube by turning the Firearm so that the Trigger Guard is facing up and the Action is closed. Push the front end of the shotshell into the Magazine Tube until the rim of the shotshell snaps past the Cartridge Stop (Figure 6). Never attempt to exceed the Magazine Tube capacity.

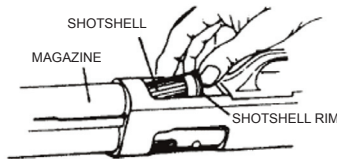


Figure 6



If a shotshell had already been loaded into the chamber prior to loading the Magazine Tube, then the Firearm is loaded and will fire if the Safety Selector is moved to the **FIRE** position and the Trigger is pulled. Keep the muzzle pointed in a safe direction at all times.

If a shotshell had not been loaded into the chamber prior to loading the Magazine Tube, then press the Action Release Lever upwards and move the Forearm rearward to fully open the Action. Load a shotshell from the Magazine Tube and into the chamber by moving the Forearm fully forward. The Firearm is now loaded and will fire if the Safety Selector is moved to the **FIRE** position and the Trigger is pulled. Keep the muzzle pointed in a safe direction at all times.



To minimize the risk of unintended firing, the Safety Selector should be kept in the SAFE position and the Firearm unloaded until you are in a place where it is safe to shoot. Keep the Safety Selector in the SAFE position and your finger off the Trigger and outside of the Trigger Guard until you are aiming at the intended target and have decided to fire.

FIRING



Use of this product, including discharging firearms in poorly ventilated areas, cleaning firearms, or handling ammunition can result in exposure to chemicals, including lead, which are known to the state of California to cause serious physical injury, including cancer, birth defects or other reproductive harm. For more information, go to www.P65Warnings.ca.gov.



Have adequate ventilation at all times and wash hands thoroughly after exposure.

With the Firearm pointed in a safe direction and held in the proper firing position, keep your finger off the Trigger and outside the Trigger Guard until you are aiming at the intended target and have decided to fire. Move the Safety Selector fully to the **FIRE** position. Once you intend to shoot, pulling the Trigger through its full travel to the rear will fire the Firearm.

The Action is released automatically with each shot fired, but then must be opened manually. Pull the Forearm fully rearward to extract and eject the spent shotshell. Be sure that your hands, objects, and any observers are clear of the path of ejection.

If you plan to continue firing, then push the Forearm fully forward to feed a fresh shotshell from the Magazine Tube and into the chamber. The Firearm will fire if the Trigger is pulled. The Trigger must be released after each shot to reset it for the next.

To interrupt shooting and unload the Firearm, keep the Firearm pointed in a safe direction, move the Safety Selector fully to the **SAFE** position. If the Action is closed, press upwards on the Action Release Lever and pull the Forearm fully rearward to extract and eject the shotshell from the chamber. Visually and physically inspect the chamber, Receiver, and Magazine Tube to make sure that all shotshells have been removed.



As a safety procedure, every time shooting is interrupted or the Firearm is unloaded, move the Safety Selector fully to the **SAFE** position, press upwards on the Action Release Lever, pull the Forearm fully rearward and leave the Action in the open position. Visually and physically inspect the chamber, Receiver, and Magazine Tube to make sure that all shotshells have been removed.



Should any shotshell fail to fire after pulling the Trigger, keep the muzzle pointed in a safe direction for at least thirty (30) seconds in case the shotshell is a “hangfire” (delayed firing of the shotshell after being struck by the Firing Pin). Move the Safety Selector fully to the **SAFE** position, then pull the Forearm fully rearward and extract and eject the misfired shotshell. Segregate the misfired shotshell from other ammunition. Do not attempt to refire a misfired shotshell. If the indent from the Firing Pin is light or absent, contact a qualified gunsmith or the Product Service Center.



If at any time during firing, the sound of any shotshell is noticeably louder or softer than previous shotshells fired, STOP! Do not load or fire additional shotshells. Move the Safety Selector fully to the **SAFE** position. Keep the muzzle pointed in a safe direction and, while keeping the ejection port and loading port opening of the firearm turned away from your face (to protect your eyes in the event a defective shotshell explodes). Safely unload your firearm as instructed in the Unloading the Firearm section of this owner’s manual. Remove the Barrel as instructed in the Disassembly section of this owner’s manual. Inspect the Barrel and firearm for possible damage or obstructions to the chamber or bore. Firing the firearm with a bore obstruction can cause damage to the firearm and could cause death, serious injury, or property damage to you or those around you.



Use only new commercially manufactured ammunition which are in strict accordance with the standards of the Sporting Arms and Ammunition Manufacturers' Institute (SAAMI). If you are uncertain, contact your ammunition supplier for verification.



If the need to inspect your Firearm for possible damage or obstructions in the chamber or bore arises, keep the muzzle pointed in a safe direction and move the Safety Selector fully to the **SAFE** position. Press upwards on the Action Release Lever, pull the Forearm fully rearward and leave the Action in the open position.



Visually and physically inspect the chamber, Receiver, and Magazine Tube to make sure that all shotshells have been removed. After unloading, inspect your Firearm for possible damage or obstructions in the chamber or bore.

TO CLEAR A MALFUNCTION (“JAM”)

1. Always keep the muzzle pointed in a safe direction. Keep your finger off the trigger and outside the trigger guard. Ensure the Safety Selector is fully in the **SAFE** position, and that you are wearing proper eye and hearing protection.
2. Unload the firearm (Refer to Unloading section of this owner's manual).
3. Lock the action in the open position (Refer to Action Release section of this owner's manual).
4. Visually and physically inspect the chamber, Receiver and Magazine Tube to be certain the firearm is unloaded, and that the shotshell that was stuck has been ejected during this process. If the shotshell has ejected and there is no jam, then properly clean the firearm as instructed in this manual and try different ammunition. You may now resume normal operation. If you still experience a jam, contact a qualified gunsmith or the Product Service Center.
5. If a stuck shotshell is in the chamber and does not eject after the above steps, or you experience a possible bore obstruction then do not attempt to close the action. Remove the Barrel (refer to the Disassembly section of this owner's manual). Contact a qualified gunsmith so that the gunsmith may remove the shotshell and/or bore obstruction and verify there is no damage to the firearm.



Do not attempt to remove a bore obstruction using a blank shotshell, or a shell from which the shot charge has been removed, or by shooting it out with another shotshell.



Never force a jammed action. This could cause a shotshell to explode resulting in death, serious injury or property damage to you or those around you.



Do not use a metal tool to attempt to remove an unfired shotshell because it could ignite the primer and fire or rupture sending fragments out of the ejection port with sufficient force that could cause death, serious injury or property damage to you or those around you.



Never pull the trigger if the Bolt does not fully close to prevent a possible out of battery firing. If this happens, unload the firearm (refer to Unloading the Firearm section of this owner's manual). Examine the shotshell that was in the chamber and check the chamber to ensure that there are no obstructions or debris in it.

CYCLING THE ACTION

To eject a shotshell case, pull the Forearm completely rearward. The spent case or unfired shotshell will eject out of the Receiver through the ejection port. Be sure that your hands, objects, and any observers are clear of the path of ejection.



Be sure that all observers are clear of the path of ejection. Empty cases are thrown out with significant force and could cause injury.

To chamber a live shotshell from the Magazine Tube, push the Forearm fully forward.



Remember: when the Magazine Tube is loaded and the Action is cycled, a live shotshell will be chambered! Always keep the Safety Selector fully in the **SAFE** position until you have actually decided to fire.

UNLOADING THE FIREARM



Move the Safety Selector fully to the **SAFE** position. During unloading, never allow fingers or any other objects to contact the Trigger. **KEEP THE MUZZLE POINTED IN A SAFE DIRECTION AT ALL TIMES.**

Press upwards on the Action Release Lever and pull the Forearm rearward, slowly, until the live shotshell is completely withdrawn and visible in the ejection port. Remove shotshell by hand.

Pull the Forearm completely rearward to release the next shotshell onto the Elevator. Turn the Firearm so that the ejection port faces downward to allow the released shotshell to drop out through the ejection port.

Push the Forearm completely forward, closing the Action without a shotshell being chambered. Turn the Firearm over so that the Trigger Guard is positioned upward and the Firearm remains pointed in a safe direction. Insert your thumb into the opening in the bottom of the Receiver and depress the Cartridge Stop on the right side to release shotshells one at a time (Figure 7). Repeat until all shotshells are removed from the Magazine Tube.

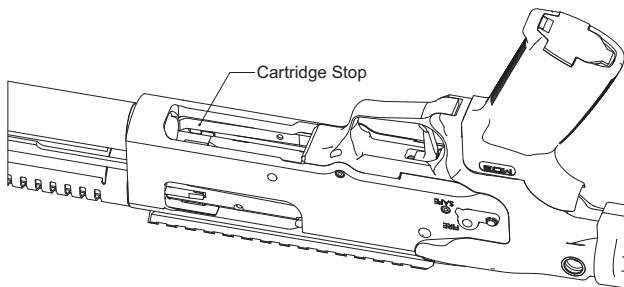


Figure 7

Press upwards on the Action Release and pull the Forearm completely rearward. Visually and physically inspect the chamber, Receiver, and Magazine Tube to make sure that all shotshells have been removed. Leave the action in the open, rearward position and the Safety Selector fully in the **SAFE** position.



After unloading, always visually and physically inspect the chamber, Receiver and Magazine Tube to make sure that all of the shotshells have been removed.

DISASSEMBLY



Before disassembling the Friarm, move the Safety Selector fully to the **SAFE** position and keep the muzzle pointed in a safe direction. Press upwards on the Action Release Lever, pull the Forearm fully rearward and leave the Action in the open position. Visually and physically inspect the chamber, Receiver and Magazine Tube to make sure that all shotshells have been removed before disassembling the Firearm. Wear eye protection during disassembly and cleaning to protect your eyes from oil splatter or spring loaded components.

During disassembly/assembly reference the “Exploded View” section of this manual for labeled and listed parts contained within this Firearm.

Move the Forearm slowly forward from the fully rearward position until the front of the Bolt is in the middle of the ejection port.

Remove the Take-down Nut by turning it counterclockwise. If present, remove the optional M-Lok Adapter by pulling it forward (Figure 8).

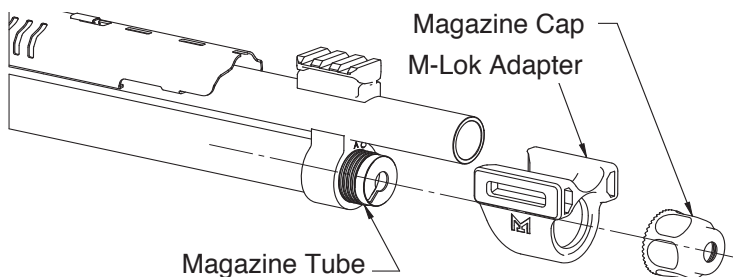


Figure 8

Remove the Barrel with a gentle back-and-forth rotational movement while pulling the Barrel out of the Receiver.

Move the Safety Selector fully in the **FIRE** position.

Using a small punch, no larger than 1/8” diameter, push out the Trigger Housing Pin. Remove the Trigger Housing Assembly by first sliding it forward, and then up and out of the Receiver (Figure 9).

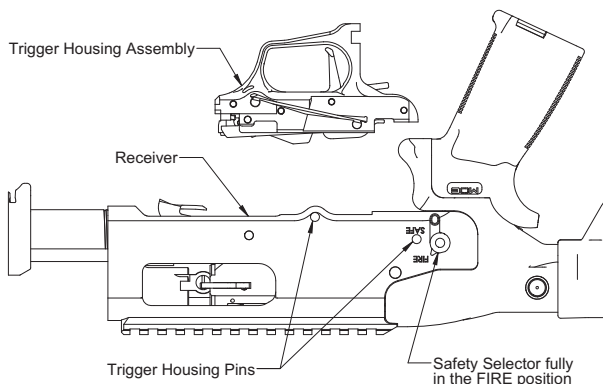


Figure 9

The Trigger Housing Assembly is complex and must not be disassembled. Disassembly should only be performed at an authorized Product Service Center or by a qualified gunsmith.



Do not pull the Trigger and allow the Hammer to fall when the Trigger Housing Assembly is removed from the Receiver. To do so may result in personal injury and/or damage to the Trigger Housing Assembly.



During disassembly take note of Bolt, Bolt Slide and Action Bars position, as the parts must be in the same relationship during assembly.

Remove the Cartridge Interrupter and Cartridge Stop from the Receiver. (It may be necessary to tap the sides of the Receiver lightly to release these parts)(Figure 10).

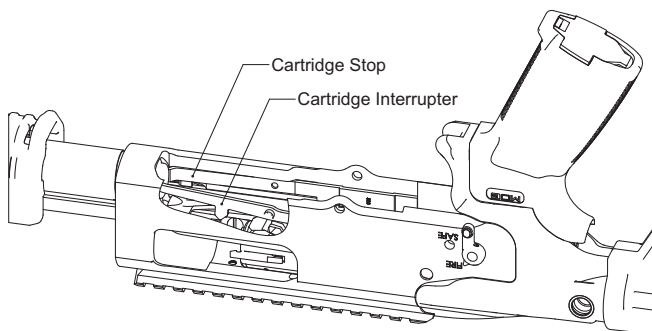


Figure 10

Move the Forearm rearward so that the bottom of the Bolt Slide is aligned with the clearance cut in the sides of the Receiver. Rotate the back end of the Bolt Slide up and then lift the Bolt Slide upward and out of the Receiver (Figure 11).

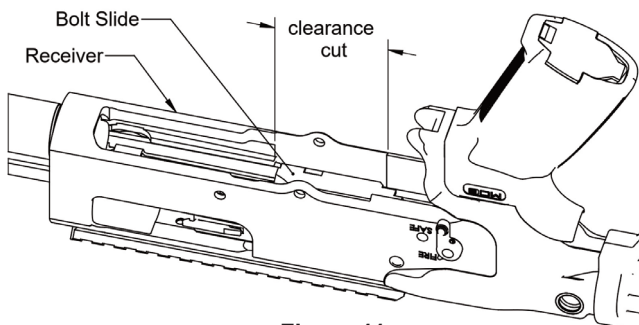


Figure 11

Remove the Bolt Assembly by sliding it forward and out through the front of the Receiver (Figure 12).

Pivot the front portion of the Elevator upward out of the Receiver. Squeeze together the two arms of the Elevator sufficiently to disengage and remove the Elevator from the Receiver.

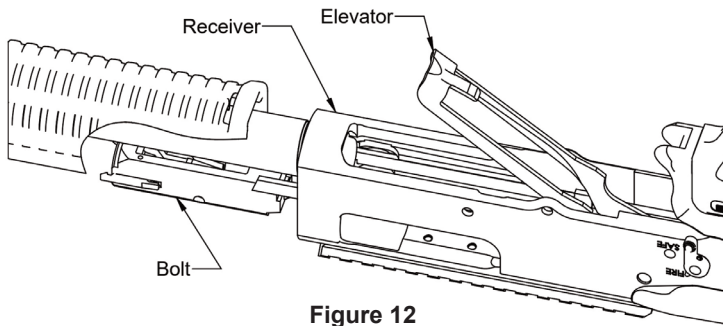


Figure 12

Remove the Forearm by sliding it forward and off the Magazine Tube.



Field disassembly is now complete. Further disassembly should only be performed at an authorized Product Service Center or by a qualified gunsmith. Improper disassembly or reassembly, alterations, modifications and/or repairs by a party other than Mossberg could compromise the safety or performance of your firearm, and could result in death, serious injury, or property damage to you or others and will void your warranty.

CLEANING AND LUBRICATION

With proper maintenance and care, your firearm will provide you with years of dependable service. Your firearm should be inspected and cleaned periodically to ensure that it remains in good condition. Clean and lubricate your firearm as soon as possible after use. This is especially important if your firearm has been exposed to moisture. For maximum performance and continued satisfaction with your firearm, periodic cleaning and lubrication are essential. Wear eye protection during cleaning.

To clean and lubricate your firearm, first disassemble it (refer to the Disassembly section of this owner's manual). Use the instructions and equipment provided with a quality firearm cleaning kit as well as the instructions in this owner's manual.



Always be sure that the firearm is unloaded (refer to the Unloading section of this owner's manual) by visually and physically checking the chamber, Receiver and Magazine Tube before cleaning your firearm. Be sure that the Safety Selector is fully moved to the **SAFE** position. Wear eye protection during cleaning and assembly to protect your eyes from oil splatter and spring loaded components.



Always make sure that no ammunition is located in the area where you clean your firearm. Cleaner-lubricant-preserved can affect the primer and powder in ammunition and cause it to malfunction. This could result in a shotshell being pushed into the Barrel of your firearm and getting stuck. Firing another round with a shotshell stuck in the Barrel could cause the Barrel to burst and result in death, serious injury, or property damage to you or those around you.



WARNING: This product can expose you to chemicals, including lead, which is known to the State of California to cause cancer and birth defects or other reproductive harm. For more information go to www.P65Warnings.ca.gov.

Normal use requires only that the mechanisms be free of excessive shooting residue. All metal parts should be cleaned with an appropriate firearm cleaning solvent. Very little lubrication other than a light oiling of internal and external surfaces to prevent rust is needed. Use only lubricants specifically designed for firearms. Avoid the use of abrasives which may damage the metal finish.

To ensure optimum performance, Mossberg recommends thorough cleaning of your firearm after every 500 rounds. However, unusually dusty, dirty, or harsh weather conditions, or use of ammunition which leaves significant powder residue may require more frequent cleaning.

If the firearm is to be stored for a long period of time, it should be thoroughly cleaned and oiled. Do not plug the Barrel or store in a fabric-lined case that will absorb lubricant from the firearm, as this may result in corrosion to the unprotected metal surfaces.

Over-lubrication should be avoided during below freezing conditions. Many lubricants thicken in low temperatures which could affect the operation of the firearm. Exposure to unfavorable weather, or moisture from condensation, requires additional care to prevent corrosion of the firearm.

BARREL CLEANING

Scrub bore and chamber with solvent and follow with cleaning patches until Barrel is clean. A final pass with a lightly oiled patch will provide a protective coating. A stiff brass bristle brush is useful for removing stubborn deposits.



During cleaning of the Barrel, be certain a Choke Tube is properly installed. This will avoid residue build-up on threads.



Make sure the Barrel and Receiver are free of obstructions and excessive lubricant after cleaning. Be sure not to leave cleaning patches or excessive oil or grease in the bore as they can create dangerous obstructions. Obstructions of any kind can cause damage to the Firearm and could cause death, serious injury or property damage to you or those around you.

ACTION CLEANING

Using an evaporating solvent, clean all components of the Action including the Bolt Assembly, Bolt Slide and Action Bars to remove accumulated residue. Action parts will remain cleaner longer if lubrication is used sparingly.

RECEIVER CLEANING

Clean the inside of Receiver with a rag or soft bristle brush, giving special attention to the tracks which guide the Bolt Assembly and Bolt Slide. Place a few drops of light oil in these tracks when clean. Care should be taken when cleaning the exterior surfaces of the Receiver to prevent cosmetic damage. Never use a brush with metal bristles, as this could remove the protective coating on the Receiver.

TRIGGER HOUSING ASSEMBLY CLEANING

Brush loose residue from the Trigger Housing Assembly with a soft bristle brush. Never use a brush with metal bristles, as this could remove the protective coating on the Trigger Housing Assembly components.



Never pull the Trigger while the Trigger Housing Assembly is removed from the Receiver, as personal injury and/or damage to the Trigger Housing Assembly may result.

ASSEMBLY

Place the Receiver with the Trigger Housing Assembly opening upwards on a clean surface.

Slide the Forearm Assembly onto the Magazine Tube while guiding the Action Bars into the corresponding openings in the front of the Receiver (Figure 13).

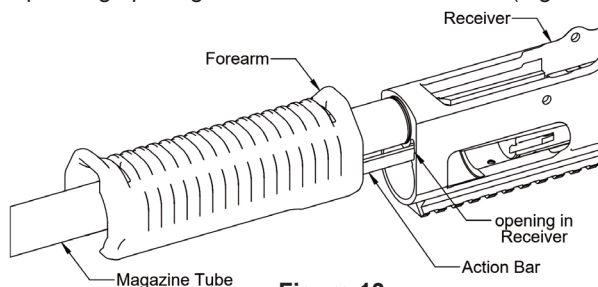


Figure 13

Install the Elevator by squeezing the arms together sufficiently to position them in the Receiver so that the studs on the Elevator fit into the corresponding holes in the Receiver (Figure 14). Pivot the Elevator even with the outside edge of the Receiver.

Insert the Bolt Assembly as shown into the front of the Receiver. While depressing the Ejector, Slide the Bolt Assembly towards the back of the Receiver.

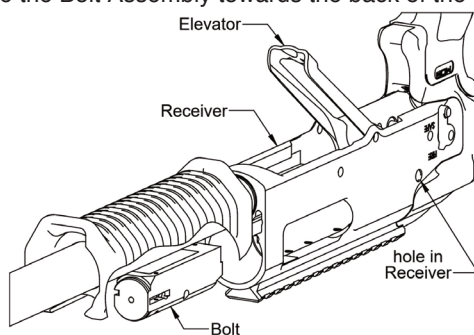


Figure 14

Push the Elevator until it rests against the Bolt Assembly (Figure 15[Ⓐ]). Position the Action Bars so the slots on the Bars are even with the front of the clearance cut on the inside of the Receiver (Figure 15[Ⓑ]). Position the rear of the Bolt Assembly even with the rear of the clearance cut (Figure 15[Ⓒ]). Install the Bolt Slide, tilted so its front end enters the Receiver first. The Bolt Slide fits into the Bolt Lock (Figure 15[Ⓓ]) and Action Bars (Figure 15[Ⓔ]).

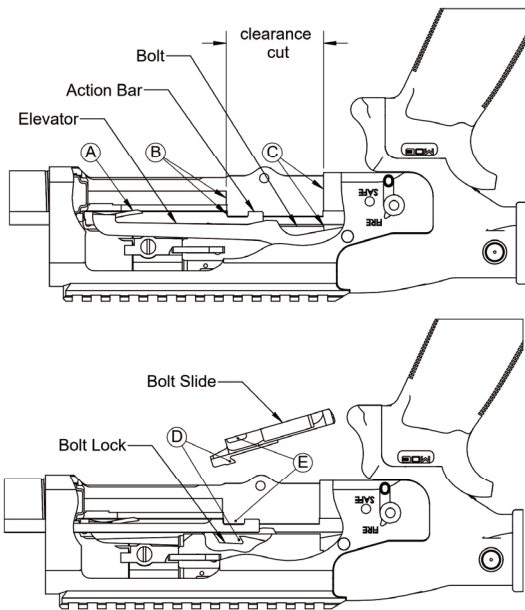


Figure 15

Position the Cartridge Stop and Cartridge Interrupter on the inside walls of the Receiver (Figure 16). The hooks must face inward.

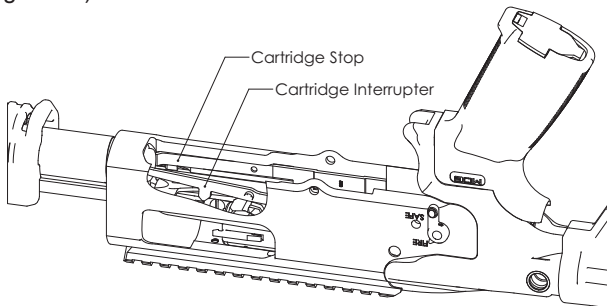


Figure 16

Move the Safety Selector fully to the **FIRE** position.

Prepare the Trigger Housing Assembly for installation by ensuring that the Hammer is in the cocked position and that all Pins are flush with the sides of the Trigger Housing Assembly (Figure 17).

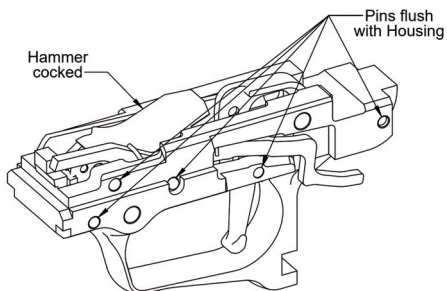


Figure 17



The Hammer must remain in the cocked position during installation of the Trigger Housing Assembly, so use care to avoid touching the Trigger.



Never pull the Trigger while the Trigger Housing Assembly is removed from the Receiver, as personal injury and/or damage to the Trigger Housing Assembly may result.

Insert the Trigger Housing Assembly into the Receiver. Align holes for the Trigger Housing Pin in the Trigger Housing Assembly and the Receiver. Insert the Trigger Housing Pin and push in fully until flush with the side of the Receiver (Figure 18).

Move the Safety Selector fully in to the **SAFE** position.

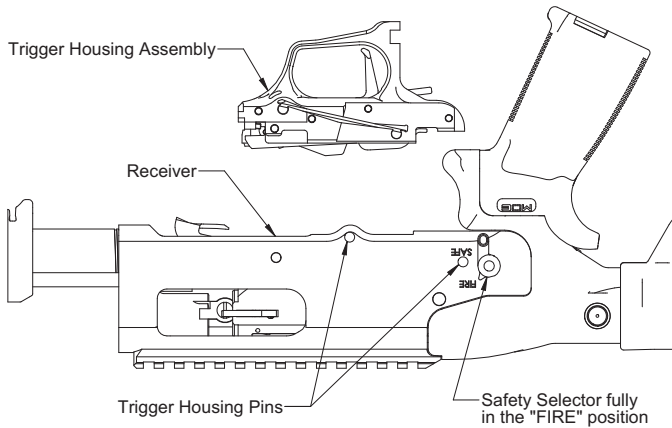


Figure 18

Slide the Barrel into the Receiver. The optional M-Lok Adapter may be installed at this time by sliding it over the end of the Magazine Tube. Install and tighten the Magazine Cap finger tight only (Figure 19). **DO NOT** use pliers or a wrench to tighten the Magazine Cap.

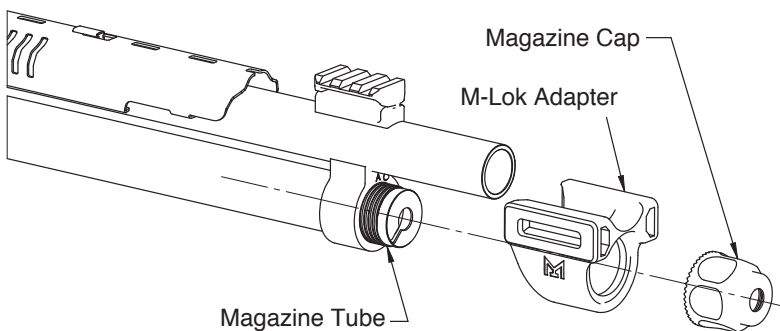


Figure 19

FUNCTION TESTING



AFTER PERFORMING ANY WORK ON YOUR FIREARM SUCH AS CLEANING, DISASSEMBLY OR INSTALLATION OF ANY ACCESSORY, CHECK FOR PROPER FUNCTIONING BEFORE USING AND/OR FIRING ANY LIVE AMMUNITION.



Move the Safety Selector fully to the **SAFE** position and keep the muzzle pointed in a safe direction. Press upwards on the Action Release Lever, pull the Forearm fully rearward and leave the Action in the open position. Visually and physically check the chamber, Receiver, and Magazine Tube to make sure that all shotshells have been removed and the Firearm is completely unloaded (Refer to the Unloading The Firearm section of this owner's manual).



KEEP THE MUZZLE POINTED IN A SAFE DIRECTION AT ALL TIMES THROUGHOUT THE FOLLOWING STEPS! FAILURE TO DO SO COULD CAUSE DEATH, SERIOUS INJURY OR PROPERTY DAMAGE TO YOU OR THOSE AROUND YOU IF THE FIREARM HAS NOT BEEN PROPERLY UNLOADED AND FIRES WHILE YOU ARE TESTING ITS FUNCTION!

1. Move the Safety Selector fully to the **SAFE** position.
2. If the Action is not already open, then open it by pushing upward on the Action Release and pulling rearward on the Forearm. Do not touch the Trigger.
3. Confirm that the chamber is empty and that all ammunition has been removed from the Firearm.
4. Close the Action on an empty chamber by pushing the Forearm forward. Confirm that the Action has locked in the closed position.
5. With the Safety Selector fully in the **SAFE** position, confirm that pulling the Trigger does not release the Hammer, and that the Action remains locked in the closed position.
6. Move the Safety Selector fully to the **FIRE** position and confirm that a pull of the Trigger releases the Hammer and unlocks the Action.
7. Open the Action and move the Safety Selector fully to the **SAFE** position.



IF YOUR FIREARM DOES NOT PERFORM AS DESCRIBED IN ANY OF THE ABOVE STEPS, CONTACT THE PRODUCT SERVICE CENTER IMMEDIATELY. DO NOT ATTEMPT TO USE THE FIREARM.



Firearms are complicated mechanisms. Any modification, alterations, or improper fitting of parts may result in a dangerous malfunction, damage to the Firearm and could cause death, serious injury or property damage to you or those around you. The Firearm's owner must accept full responsibility for the correct reassembly and functioning of the Firearm after any disassembly or replacement of parts.

ADJUSTABLE STOCK



Before adjusting the Stock, move the Safety Selector fully to the **SAFE** position and keep the muzzle pointed in a safe direction. Press upwards on the Action Release Lever, pull the Forearm fully rearward and leave the Action in the open position. Visually and physically check the chamber, Receiver, and Magazine Tube to make sure that all shotshells have been removed and the Firearm is completely unloaded (Refer to the Unloading The Firearm section of this owner's manual).

The Stock has five (5) positions to adjust length of pull (Figure 20). To adjust length of pull, squeeze latch and slide Stock in or out to desired position. Release latch and push on rear of Stock until the Stock locks into place.

Tap or push on rear of Stock to verify Stock is locked into place.

To avoid possible personal injury and/or damage to the Stock, verify the Stock is properly locked into place before firing live ammunition.

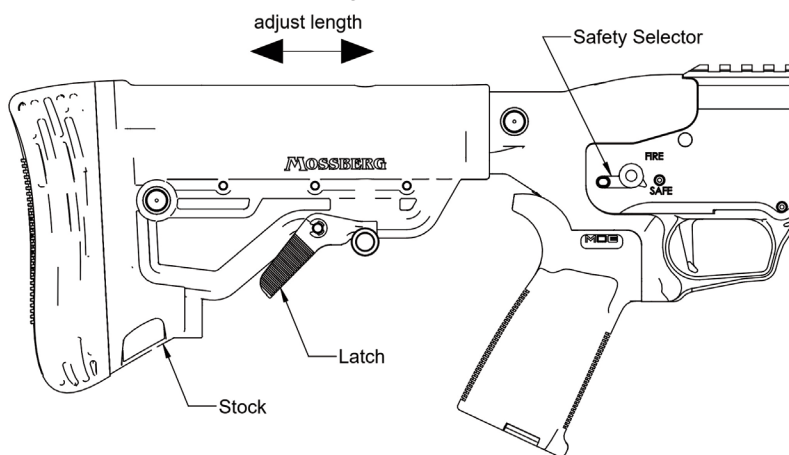


Figure 20

HEAT SHIELD

The Heat Shield may be removed for cleaning.

HEAT SHIELD REMOVAL



Before removing the Heat Shield, move the Safety Selector fully to the **SAFE** position and keep the muzzle pointed in a safe direction. Press upwards on the Action Release Lever, pull the Forearm fully rearward and leave the Action in the open position. Visually and physically check the chamber, Receiver, and Magazine Tube to make sure that all shotshells have been removed and the Firearm is completely unloaded (Refer to the Unloading The Firearm section of this owner's manual).



Wear eye protection during disassembly and cleaning to protect your eyes.

Remove the Barrel from the Firearm following the instructions in the "Disassembly" section of this manual.

Using a properly fitting wrench key, remove the Heat Shield Screw (Figure 21). Remove the Heat Shield from the Barrel by pulling it rearward.

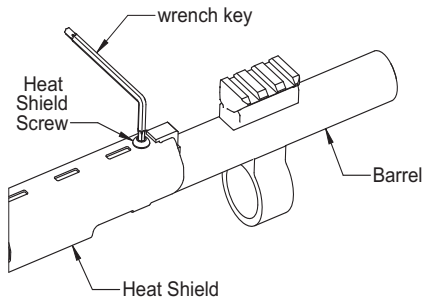


Figure 21

Follow Barrel assembly procedures as described in the “Assembly” section of this manual.

INSTALLING THE HEAT SHIELD

Remove the Barrel from the Firearm following the instructions in the “Disassembly” section of this manual.

Slide the rear of the Heat Shield over the rear of the Barrel (Figure 22[Ⓐ]). It may be necessary to gently pry the Heat Shield open to fit over the Barrel.

Slide the Heat Shield forward to engage the slot at its front with the stud on the Barrel (Figure 22[Ⓑ]). Align the holes for the Heat Shield Screw in both the Heat Shield and Barrel.

Using a properly fitting wrench key, install the Heat Shield Screw.

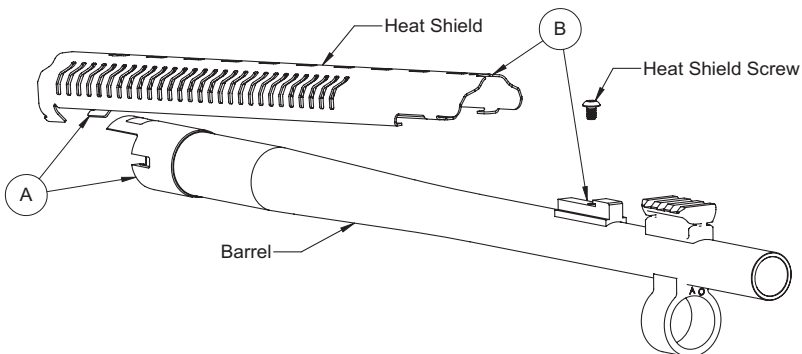


Figure 22

Follow Barrel assembly procedures as described in the “Assembly” section of this manual.



When securing heat shield, the Barrel must be attached to the Firearm. Barrels with heat shield secured are not interchangeable without proper refitting of the heat shield to firearm as described in the above procedure.

ACCU-CHOKE™ TUBES



Before removing or installing any Choke Tube, move the Safety Selector fully to the **SAFE** position and keep the muzzle pointed in a safe direction. Press upwards on the Action Release Lever, pull the Forearm fully rearward and leave the Action in the open position. Visually and physically check the chamber, Receiver, and Magazine Tube to make sure that all shotshells have been removed and the Firearm is completely unloaded (Refer to the Unloading The Firearm section of this owner's manual).



Do not use bent or deformed Choke Tubes as these may result in tube or Barrel damage upon firing which could cause serious personal injury to you or those around you. Inspect Choke Tubes periodically to insure they are properly installed and in good condition. Pay special attention to the threaded end of the Choke Tube to be certain it is not deformed or dented.



Never fire this Firearm without a Choke Tube properly installed. Failure to do so will damage the precision threads on the inside of the Barrel. Firing this Firearm with loose Choke Tubes may lead to damage to the Choke Tube and Barrel, as well as serious personal injury to you or those around you.

CARE & CLEANING: The precision threads on your Choke Tube should be kept clean and lightly oiled at all times.

During cleaning of the Barrel, be certain a Choke Tube is properly installed. This will avoid residue build-up on threads.



Extra-Full Choke Tubes are not recommended for use with buckshot or slugs.

The Improved Cylinder Choke Tube will usually produce the best accuracy with most slugs.

ACCU-CHOKE™ TUBES

ACCU-CHOKE™ TUBES are designed for use with LEAD or STEEL shot. Each durable Choke Tube is clearly marked, as a guide, with the pattern it will produce.



Do not shoot steel shot through the X-Full and XX-Full Turkey Tubes as Barrel damage and/or personal injury may result.

TO REMOVE CHOKE TUBE: Loosen with choke wrench provided, turning it counterclockwise. When the Choke Tube is loosened, remove it completely with your fingers. Place Choke Tube on a clean, dry surface.

TO INSTALL CHOKE TUBE: Screw the tube clockwise into Barrel by hand and then tighten the tube until snug with the choke wrench. Flush fitting tubes fit completely inside the Barrel when properly installed. Do not use excessive force when installing.



Choke tube tightness should be checked periodically to avoid damage to the choke, firearm, and to prevent injury to you or those around you.






GAUGE	ITEM #	LEAD SHOT PATTERN*	Extended Or Flush Fitting
12	95235	Skeet	Flush
12	95200	Improved Cylinder	Flush
12	95170	Improved Cylinder	Extended, Ported
12	95195	Modified	Flush
12	95180	Modified	Extended, Ported
12	95245	Improved Modified	Flush
12	95190	Full	Flush
12	95240	X-Full	Flush
12	95268	XX-Full Turkey (Lead Only)	Extended, Ported
12	95267	XX-Full Turkey (Lead Only)	Extended

* Lead, steel, and other non-toxic shot patterns will vary substantially depending on shotshell length, shot size, brand of ammunition, and the individual Barrel. The shooter is urged to conduct pattern tests before field use.



X-Full Turkey and XX-Full Turkey tubes are designed for lead pellet shot loads only. We specifically disclaim any responsibility for damage or injury resulting from firing slugs (single projectile ammunition) or steel shot through X-Full and XX-Full Turkey Tubes.

STORAGE

-  Always store this firearm securely and unloaded. Failure to do so could result in an unintentional discharge.
-  Use the locking device supplied with the firearm for storage. The use of a locking device or cable lock is only one aspect of responsible firearms storage (see Cable Lock section of this owner's manual).
-  While locking devices are an important aid to security measures, they are not a substitute for safe firearm handling and proper storage. Mechanical and locking devices can fail and/or be bypassed with enough time, knowledge, determination and equipment.
-  Keep out of reach of children. Firearms should be stored unloaded in a location that is secure and inaccessible to children and any other unauthorized person, with ammunition locked securely in a different location.
-  Never act in an irresponsible manner or ignore any established rules of safety when using or storing firearms.

After unloading, cleaning and lubrication and function testing this firearm as instructed in this owner's manual, follow these instructions on storage to properly and securely store your firearm:

1. Select a safe and secure location for storage, one that conforms to the instructions and recommendations of this manual and all applicable laws, including but not limited to use of the cable lock provided with this firearm (see Cable Lock section of this owner's manual).
2. If possible, do not store the firearm in the factory-supplied case as moisture may collect and cause damage.
3. If you plan on storing the firearm for extended periods of time between uses, clean and lubricate the firearm per instructions in this manual every six months (see Cleaning and Lubrication section of this owner's manual).

CABLE LOCK



Before installing the cable lock, move the Safety Selector fully to the **SAFE** position and keep the muzzle pointed in a safe direction. Press upwards on the Action Release Lever, pull the Forearm fully rearward and leave the Action in the open position. Visually and physically check the chamber, Receiver, and Magazine Tube to make sure that all shotshells have been removed and the Firearm is completely unloaded (Refer to the Unloading The Firearm section of this owner's manual).



Do not close the action with the cable lock installed. This may result in damage to your cable lock and firearm.



Store your cable lock keys in a separate location.

To install the cable lock:

1. Ensure the action remains held in the open position to install your cable lock.
2. Unlock the cable lock with the key provided, leave the key in the lock body.
3. Pass the free end of the cable through the ejection port and down through in front of the Elevator in the loading port.
4. Align the free end of the cable with the open hole on the lock body. Press and hold firmly in place.
5. Turn the key counter clockwise until locked. Remove the key.
6. Tug on lock body to be sure the cable lock is secure. If not locked, reinsert the key and repeat steps 4 and 5.
7. To unlock the cable lock, insert the key into the lock body. Turn clockwise and pull on the lock body until the cable releases.

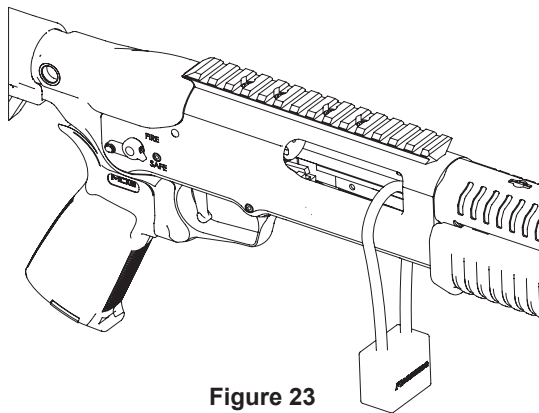


Figure 23



Ensure the cable lock is installed correctly as shown in Figure 23. Improper installation of the cable lock or storage of your firearm could cause death, serious injury or property damage to you or those around you.

SERVICE INSTRUCTIONS

Should your Firearm or any component of your Firearm require service, ship your entire Firearm (please do not send components only), via your chosen carrier, postage paid (we do not accept C.O.D. shipments), following these instructions:

Repairs in the U.S.

For faster repair service, please start the process by filling out our Service Request Form online at <http://www.mossberg.com/service> prior to shipping your Firearm.



- **Make absolutely certain your Firearm is unloaded.**
- **Do not send ammunition with your Firearm.**
- Remove all accessories from your Firearm such as scopes, slings, scope mounts, etc.
- Ship your Firearm in a suitable container, packaging it securely to prevent parts from shifting and/or damage during shipping.
- Include a note with a clear description of the service you wish us to perform, your complete return shipping address (no P.O. boxes please), your daytime telephone number and your e-mail address (if available).
- It is advisable to place your correspondence inside your shipping container when shipping.

SHIPPING ADDRESS

Mossberg Product Service Center
1001 Industrial Blvd.
Eagle Pass, TX 78852

If you have any service related questions, please contact the Product Service Center at (800) 363-3555 or service@mossberg.com

TO ORDER PARTS

To order parts from the Product Service Center, you can fax, phone, email, or mail your order to one of the below numbers/addresses.

Fax Number: (203) 230-5420

Phone Number: (800) 363-3555

E-mail Address: service@mossberg.com

Mailing Address: Mossberg Product Service Center
1001 Industrial Blvd.
Eagle Pass, TX 78852
Attn: Order Department

Please provide your name, address, city, state, zip, your daytime phone number and e-mail (if available). The Product Service Center will need the Model Number, Serial Number, Gauge/Caliber, Finish, Item Number, and Part Name. There is a \$7.50 (U.S.) minimum parts order charge. Most major credit cards, money orders, and bank drafts are accepted.

Service outside of the U.S.A.

For Mossberg firearm parts and service requirements outside of the United States, customers are requested to contact the closest Mossberg stocking dealer/distributor.

MOSSBERG® WARRANTY
MOSSBERG 590R™
FIVE (5) YEAR LIMITED WARRANTY

Limited Warranty: O.F. Mossberg & Sons, Inc. ("Mossberg") warrants to you, the original retail purchaser of a new Mossberg 590R™ Firearm (the "Mossberg firearm"), that the Mossberg firearm will be free of defects in material or manufacture for a period of five (5) years from the date of your purchase of the new Mossberg firearm (the "Warranty Period") in the United States or Canada. This is the only express warranty on the Mossberg firearm.

MOSSBERG MAKES NO OTHER WARRANTIES OF ANY KIND OR CONDITIONS, INCLUDING, BUT NOT LIMITED TO ANY IMPLIED WARRANTY OF MERCHANTABILITY OR FITNESS FOR A PARTICULAR PURPOSE.

The implied warranties of merchantability and fitness for a particular purpose, and all other warranties not expressly made herein are expressly disclaimed. All disclaimers and limitations of liability shall still apply even if the limited remedy of repair or replacement fails of its essential purpose. There are no warranties which extend beyond the description on the face hereof. Any action against Mossberg and/or any Mossberg affiliates based on an alleged breach of this limited warranty must be brought within one (1) year of the claimed breach.

This Limited Warranty gives you specific legal rights, and you may have other rights that vary from State to State.

Purchaser's Remedy: During the Warranty Period, Mossberg will, at its sole option, (1) repair the Mossberg firearm or any part thereof that, upon examination and testing by Mossberg, does not conform to the Limited Warranty without charge to you for parts or labor, or (2) replace the Mossberg firearm with a new or similar model. THIS REMEDY SHALL BE YOUR EXCLUSIVE AND SOLE REMEDY FOR ANY BREACH OF WARRANTY. MOSSBERG SHALL NOT BE RESPONSIBLE FOR ANY OTHER EXPENSES, LOSSES OR INCONVENIENCE THAT YOU MAY SUSTAIN AS A RESULT OF THE PURCHASE, USE, MALFUNCTION OR DEFECTIVE CONDITION OF THE MOSSBERG FIREARM. Mossberg reserves the right to inspect, examine and/or test the Mossberg firearm to assess any claim made under the Limited Warranty.

EXCLUSIONS: THIS WARRANTY DOES NOT COVER THE SURFACE FINISH OF ANY MATERIAL, THE COSMETIC APPEARANCE OF THE MOSSBERG FIREARM OR ANY DAMAGE CAUSED BY:

- (1) NORMAL WEAR AND TEAR;
- (2) FAILURE TO PERFORM PROPER CARE AND MAINTENANCE;
- (3) ACCIDENTS, ABUSE OR NEGLIGENCE;
- (4) BARREL OR BORE OBSTRUCTIONS;
- (5) FAILURE TO FOLLOW THE INSTRUCTIONS AND WARNINGS THAT ACCOMPANY THE MOSSBERG FIREARM; OR
- (6) THE USE OF DEFECTIVE, NON-SAAMI STANDARD, REMANUFACTURED, HAND-LOADED, AND/OR RELOADED AMMUNITION.
- (7) THE USE OF INCORRECT AMMUNITION, EX. WRONG GAUGE
- (8) DISASSEMBLY BEYOND THE INSTRUCTIONS OF THIS MANUAL;
- (9) CRIMINAL, NEGLIGENT OR IMPROPER USE;
- (10) OTHER FACTORS BEYOND MOSSBERG'S CONTROL.

IN ADDITION, ANY UNAUTHORIZED REPAIRS, ALTERATIONS OR MODIFICATIONS TO THE MOSSBERG FIREARM WILL AUTOMATICALLY VOID THE LIMITED WARRANTY.

(CONTINUED ON NEXT PAGE)

LIMITATION OF DAMAGES: EXCEPT WHERE PROHIBITED BY LAW, MOSSBERG AND AFFILIATES, OFFICERS, DIRECTORS, SHAREHOLDERS, EMPLOYEES, OR AGENTS WILL NOT BE LIABLE FOR ANY LOSS OR DAMAGE WHATSOEVER ARISING FROM THE USE OF THIS MOSSBERG FIREARM, WHETHER DIRECT, INDIRECT, SPECIAL, INCIDENTAL, CONSEQUENTIAL OR PUNITIVE, REGARDLESS OF THE LEGAL THEORY ASSERTED, INCLUDING CONTRACT, WARRANTY, NEGLIGENCE, OR STRICT LIABILITY. SOME JURISDICTIONS DO NOT ALLOW LIMITATIONS ON HOW LONG AN IMPLIED WARRANTY LASTS, OR THE EXCLUSION OF INCIDENTAL OR CONSEQUENTIAL DAMAGES, SO THE ABOVE LIMITATIONS MAY NOT APPLY TO YOU.

Warranty Service: To obtain service under this Limited Warranty, you must follow the instructions found in the "Service Instructions" section of the Owner's Manual and return the Mossberg firearm to the authorized Product Service Center. You are responsible for all shipping costs to the Product Service Center. Mossberg will not accept COD shipments of any Mossberg firearm for service. After repair or replacement under warranty, the Mossberg firearm or a similar model will be returned to you, return postage paid by Mossberg. If we replace the Mossberg firearm, we will keep the firearm that you returned to Mossberg, and you hereby relinquish any and all rights in such returned firearm.

Modification of Warranty: No agent, representative, distributor, or authorized dealer of Mossberg firearms has any authority to modify the terms or conditions of the Limited Warranty in any way. The Limited Warranty may only be modified in writing by an authorized officer of Mossberg.

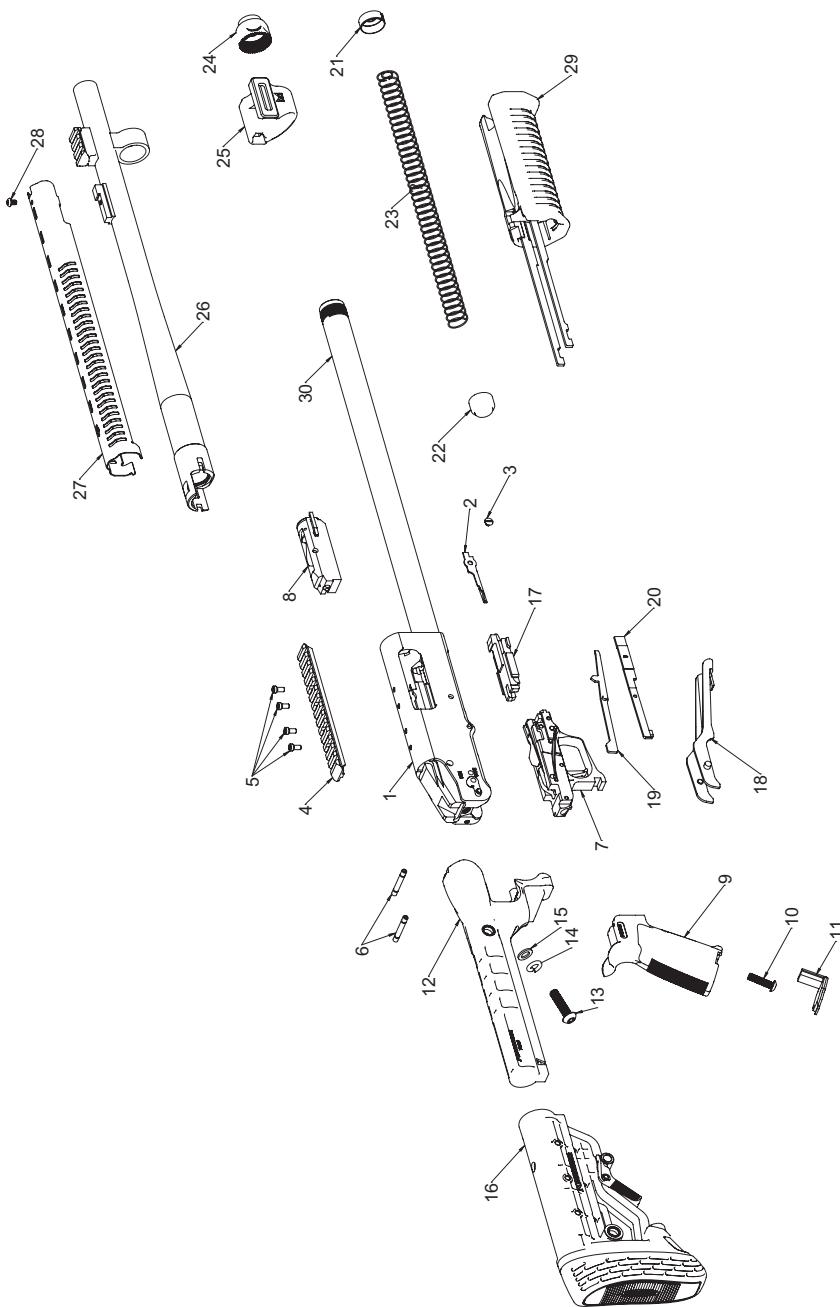
THIS LIMITED WARRANTY IS EFFECTIVE JANUARY 1, 2025.

PARTS LIST

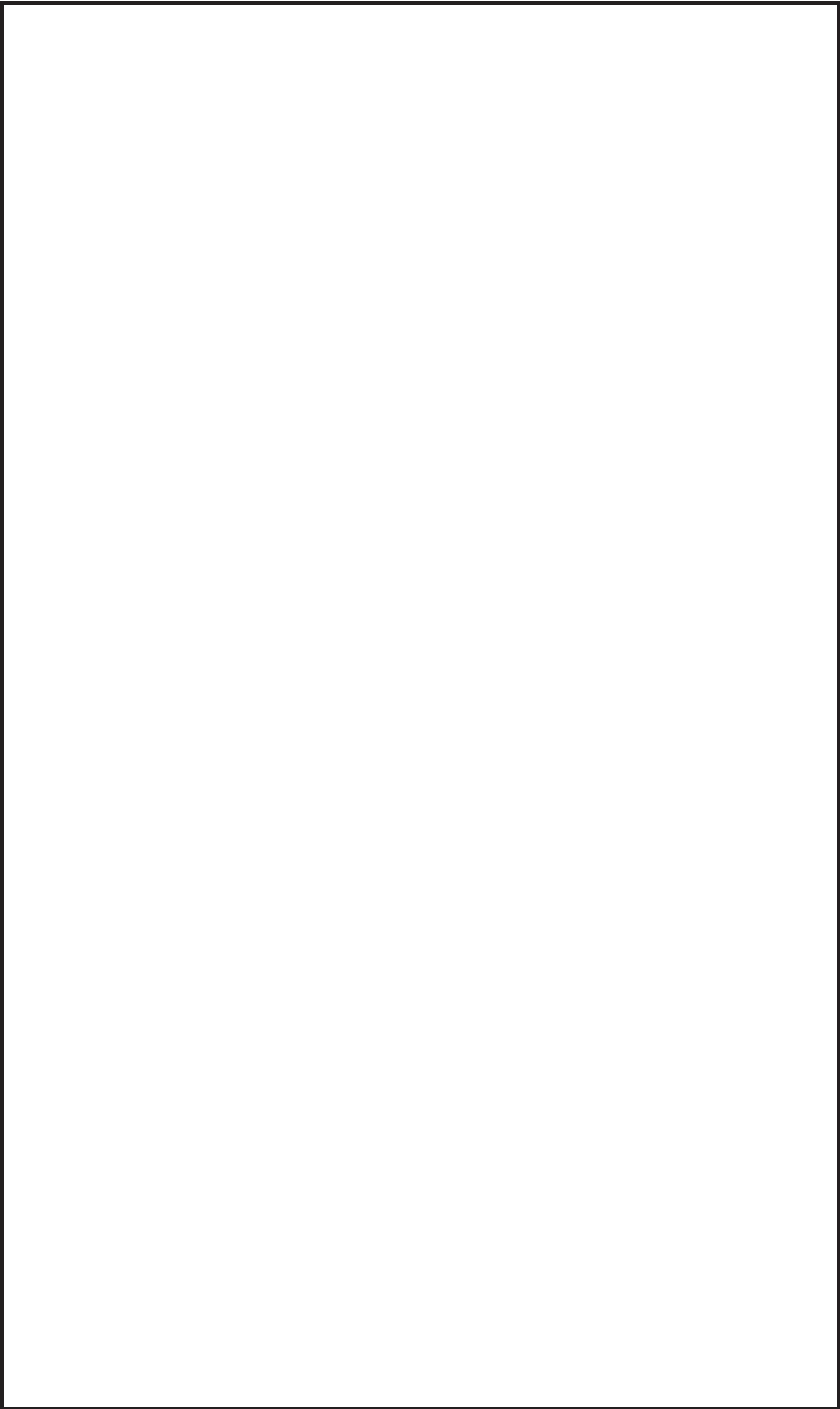
ITEM NO.	DESCRIPTION	ITEM NO.	DESCRIPTION
* 1.	Receiver Assembly	27.	Heat Shield
2.	Ejector	28.	Heat Shield Screw
3.	Ejector Screw	29.	Forearm Assembly
4.	Optics Rail	30.	Magazine Tube
5.	Optics Rail Screw		
6.	Trigger Housing Pin		
7.	Trigger Housing Assembly		
8.	Bolt Assembly		
* 9.	Grip		
* 10.	Grip Screw		
11.	Grip Cap		
12.	Receiver Extension		
13.	Extension Screw		
14.	Stock Bolt Lock Washer		
15.	Stock Bolt Washer		
16.	Stock Assembly		
17.	Bolt Slide		
18.	Elevator		
* 19.	Cartridge Interrupter		
20.	Cartridge Stop		
21.	Magazine Spring Retainer		
22.	Magazine Follower		
23.	Magazine Spring		
24.	Magazine Cap		
25.	M-Lok Adapter		
26.	Barrel Assembly		

* ITEMS ON PARTS LIST ARE RESERVED FOR QUALIFIED GUNSMITHS OR THE AUTHORIZED PRODUCT SERVICE CENTER

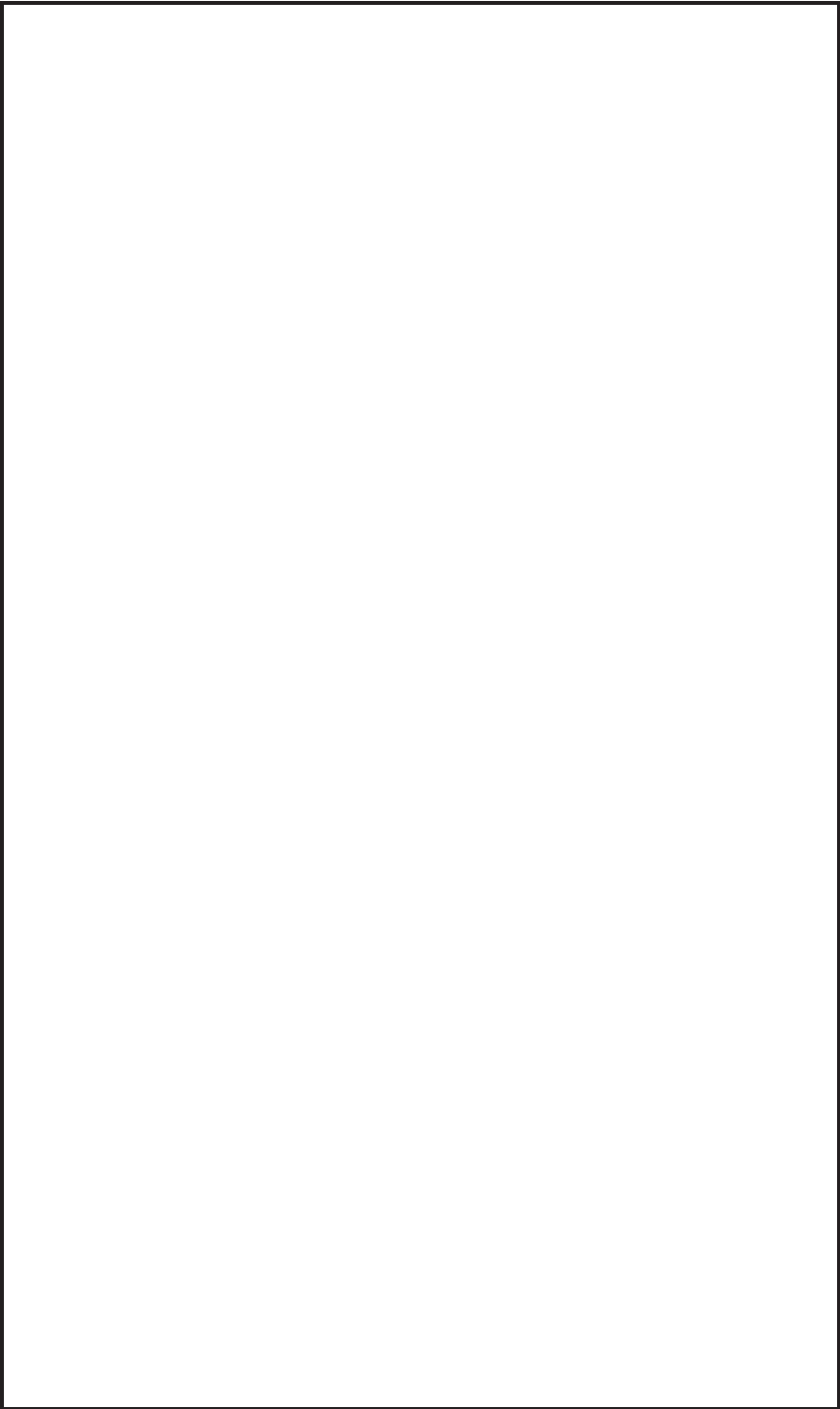
EXPLODED VIEW



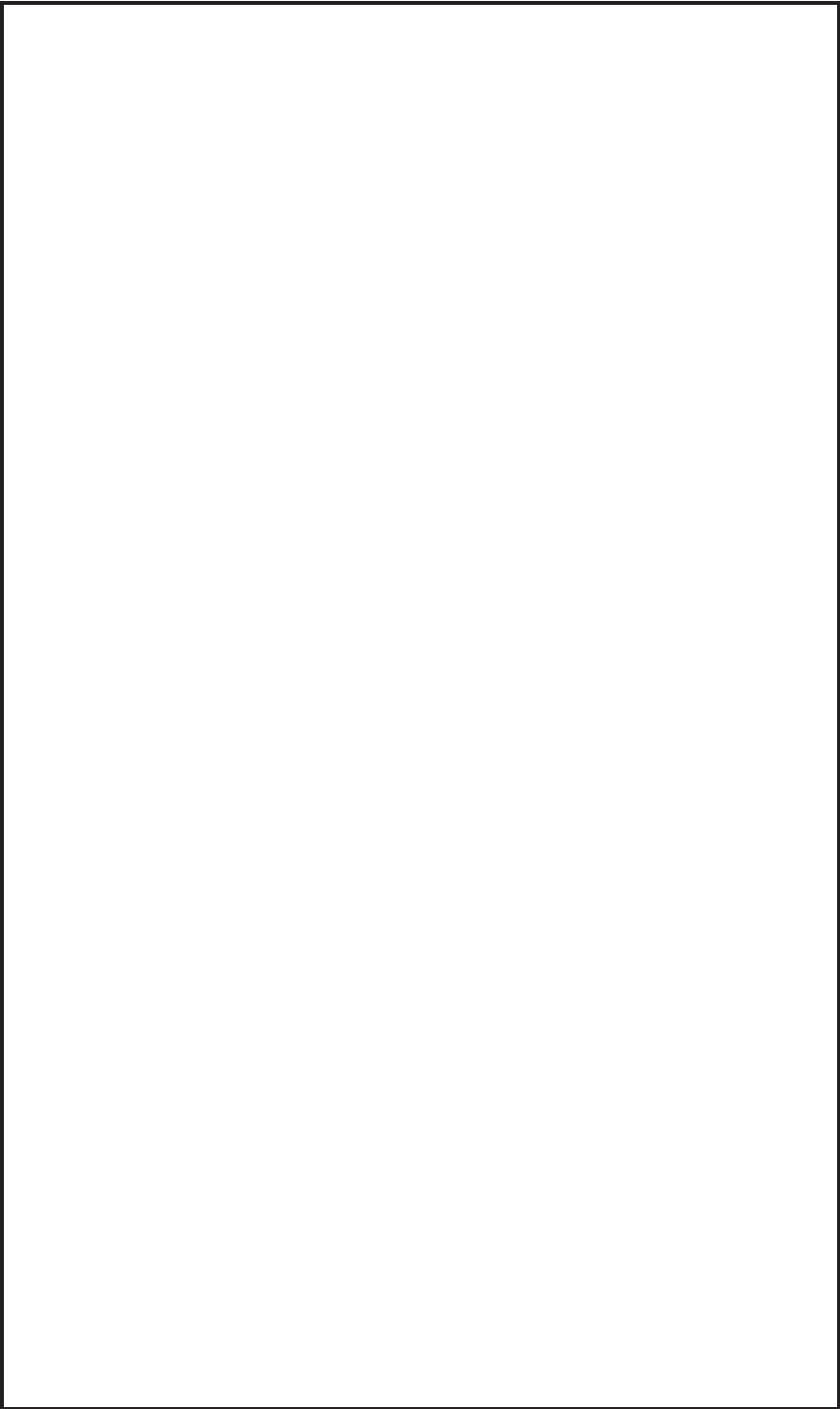
NOTES



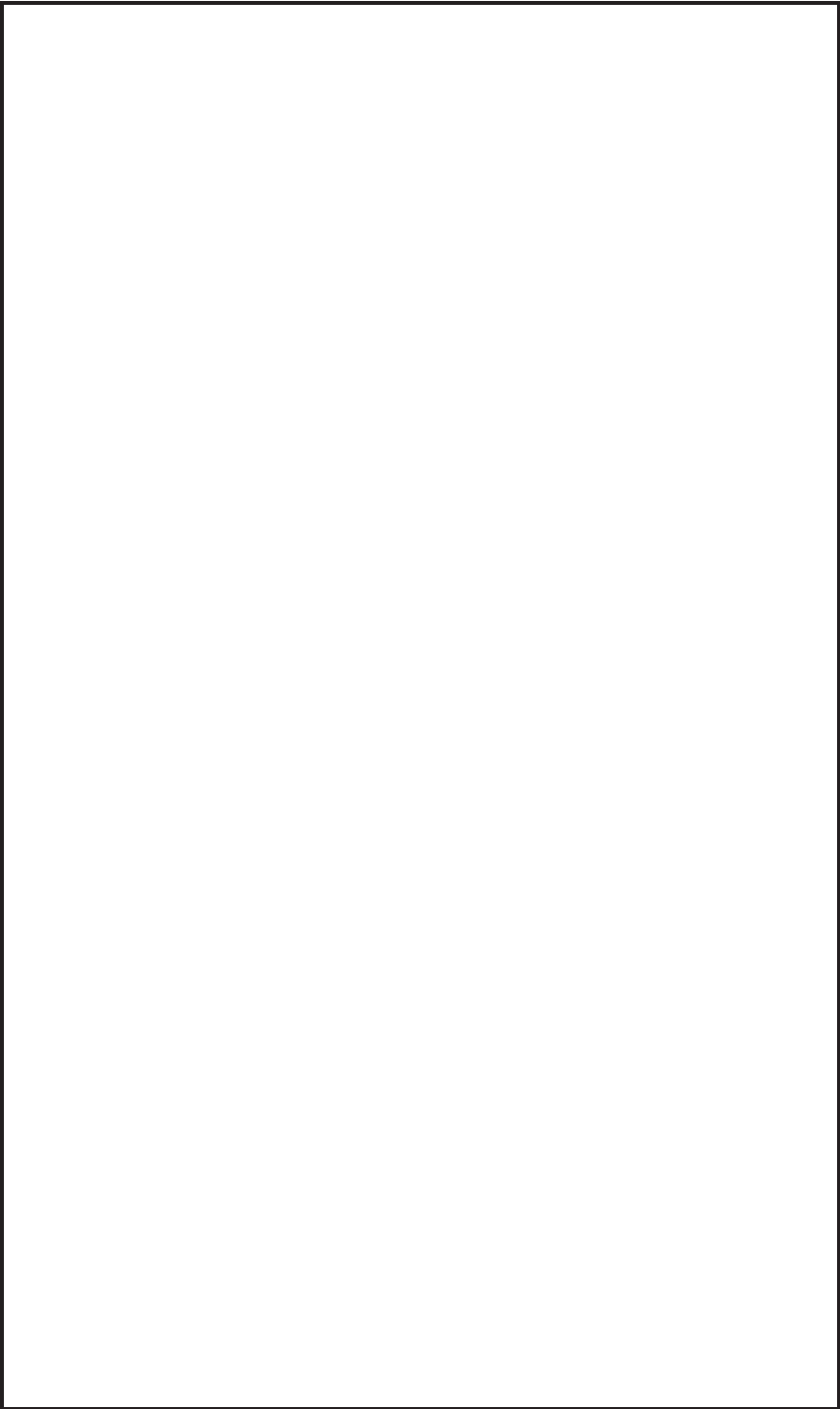
NOTES



NOTES



NOTES



FIREARMS SAFETY DEPENDS ON YOU. MAKE NO MISTAKE ABOUT IT!

From the time an individual picks up a firearm, that individual shooter becomes a part of a system over which he or she has complete control. He or she is the only part of the system that can make a gun safe – or unsafe. Hunting and target shooting are among the safest of all sports. This booklet is intended to make them even safer – by re-emphasizing and reaffirming the basics of safe gun handling and storage and by reminding each individual shooter that he or she is the key to firearms safety. You can help meet this responsibility by enrolling in hunter safety or shooting safety courses. You must constantly stress safety when handling firearms, especially to children and non-shooters. Newcomers in particular must be closely supervised when handling firearms with which they may not be acquainted. Don't be timid when it comes to gun safety. If you observe anyone violating any safety precautions, you have an obligation to suggest safer handling practices, such as those in this booklet. Please read these rules carefully and follow the safety procedures outlined. Firearms safety is up to you. Make no mistake about it.

- 1. ALWAYS KEEP THE MUZZLE POINTED IN A SAFE DIRECTION**
- 2. FIREARMS SHOULD BE UNLOADED WHEN NOT ACTUALLY IN USE**
- 3. DON'T RELY ON YOUR GUN'S "SAFETY"**
- 4. BE SURE OF YOUR TARGET AND WHAT'S BEYOND IT**
- 5. USE CORRECT AMMUNITION**
- 6. IF YOUR GUN FAILS TO FIRE WHEN THE TRIGGER IS PULLED, HANDLE WITH CARE**
- 7. ALWAYS WEAR EYE AND EAR PROTECTION WHEN SHOOTING**
- 8. BE SURE THE BARREL IS CLEAR OF OBSTRUCTIONS BEFORE SHOOTING**
- 9. DO NOT ALTER OR MODIFY YOUR GUN, AND HAVE GUNS SERVICED REGULARLY**
- 10. LEARN THE MECHANICAL AND HANDLING CHARACTERISTICS OF THE FIREARM YOU ARE USING**

*Courtesy of
Sporting Arms and Ammunition Manufacturers' Institute, Inc.*